

This document must be retained for future reference.

It is the responsibility of the person installing the electrical equipment to ensure that the installation meets the requirements of the IET wiring regulations and is therefore 'fit for purpose'. Factors such as correct selection of components, cable sizing, protective devices and Earth bonding are all critical and should be checked prior to full testing and power-up. Any other regulations applicable to the equipment being installed such as the Machinery Directive and current health and safety legislation must also be adhered to.

All connections (including factory made) must be checked for the correct tightness prior to commissioning of the electrical installation. All connections should also be inspected periodically to ensure correct tightness.

DO NOT USE POWER TOOLS ON THESE PRODUCTS



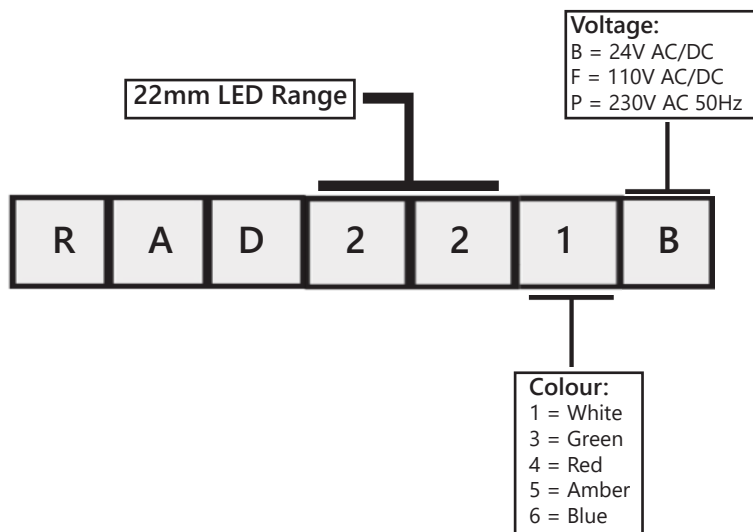
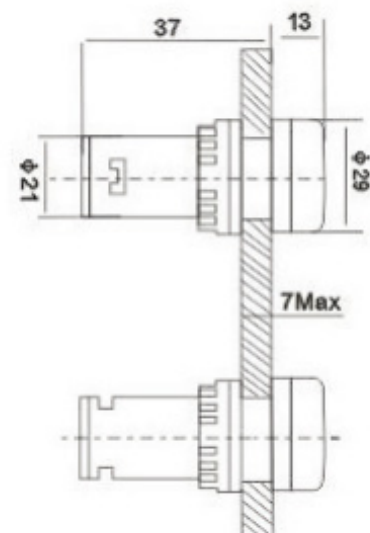
22mm LED Pilot Lamps



This superb range of LED lamps offers high illumination output, long life, low temperature and is supplied as a complete unit with encapsulated LED ready to fit.

Technical Data:

- Current Rating 20mA
- Expected life: 30,000 Hours
- IP Rating: IP65
- Brightness 60cd/m²
- Complete with Locking Nut
- Operating temperature - 25° + 55°



We also stock the RAD-AD22 tool to tighten the LED lamps in position.